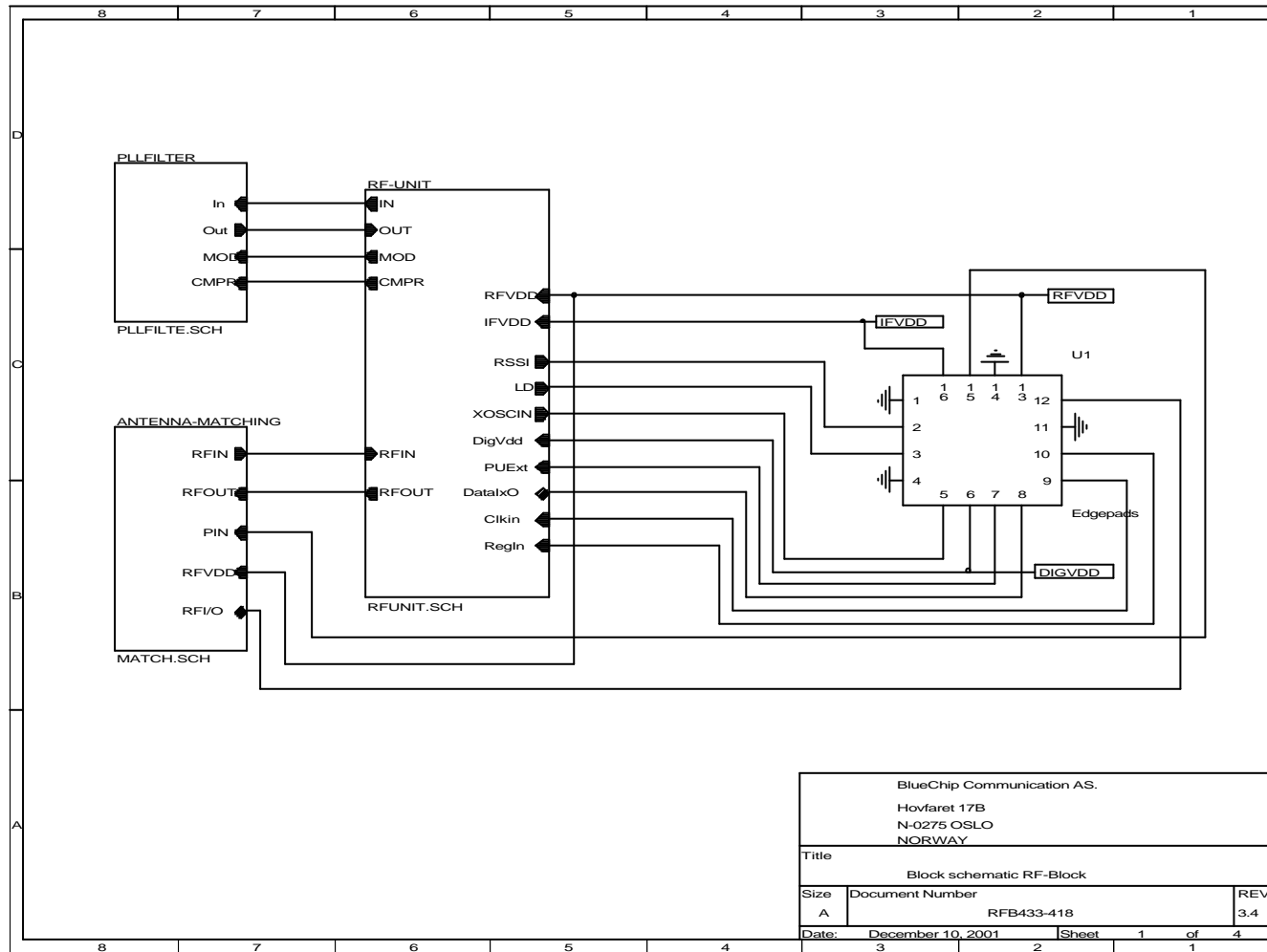
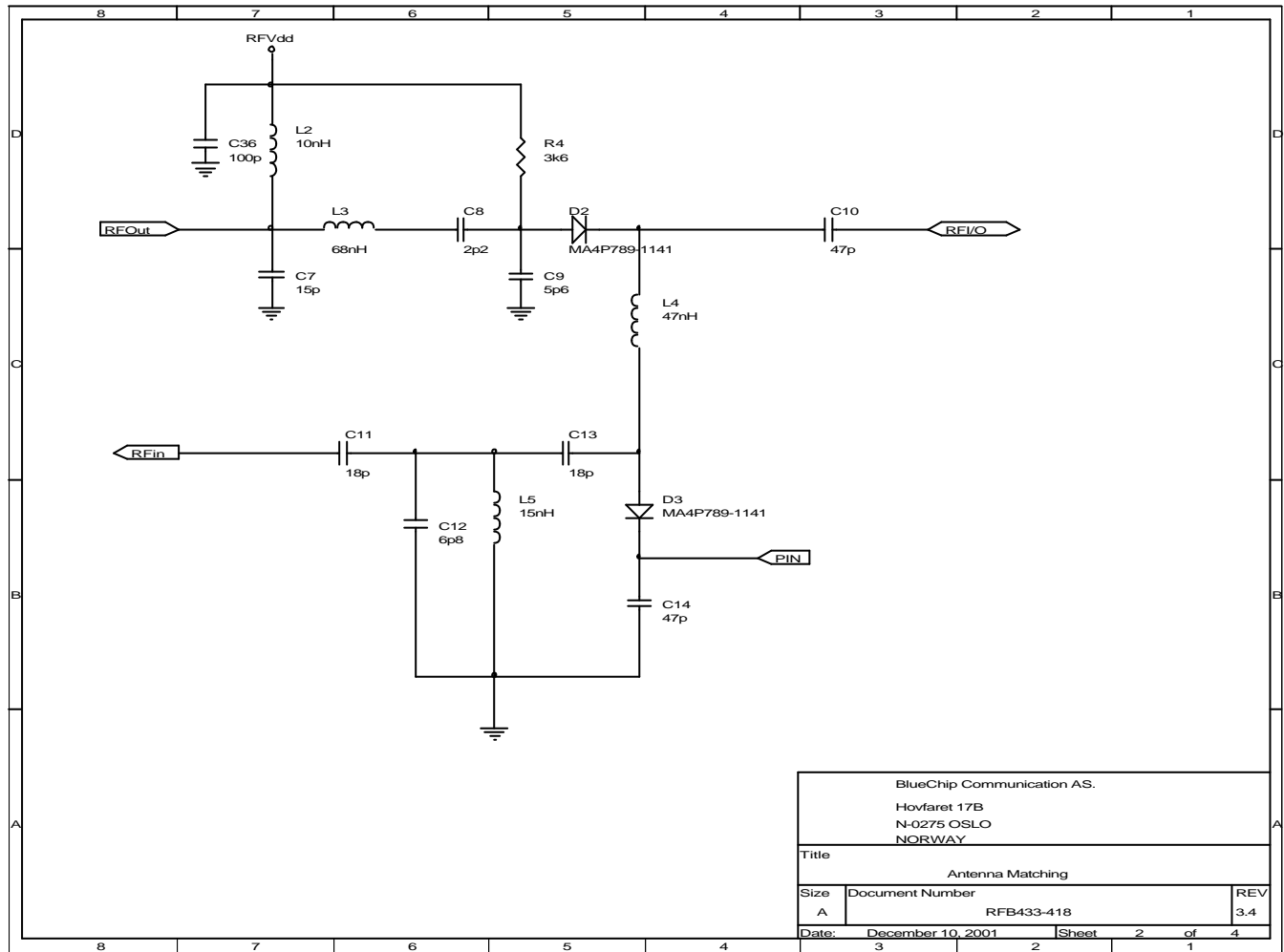


1. Schematics for RF-Block 433 V.3.4

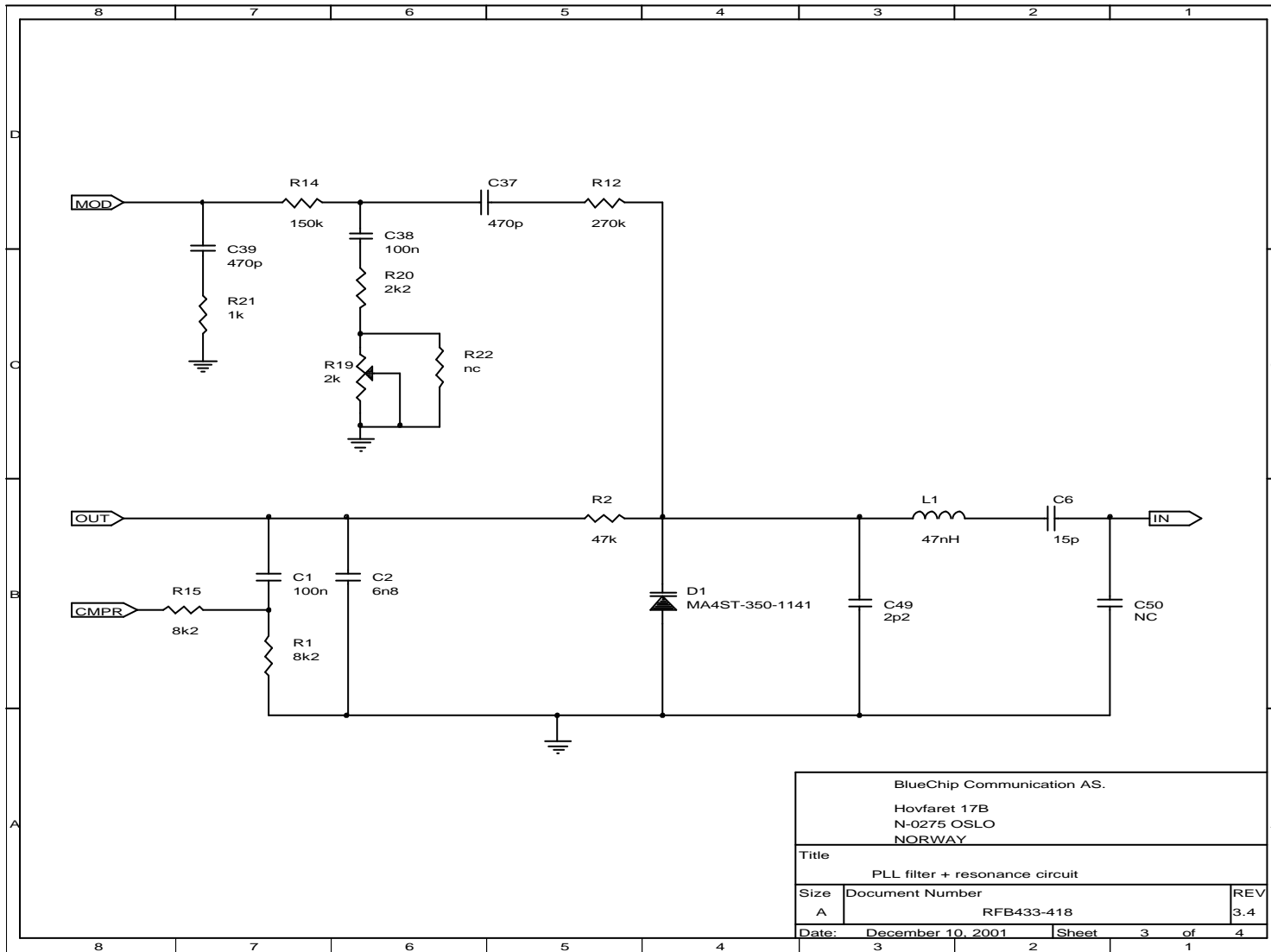


Schematics and Bill of Material for RFB V.3.4

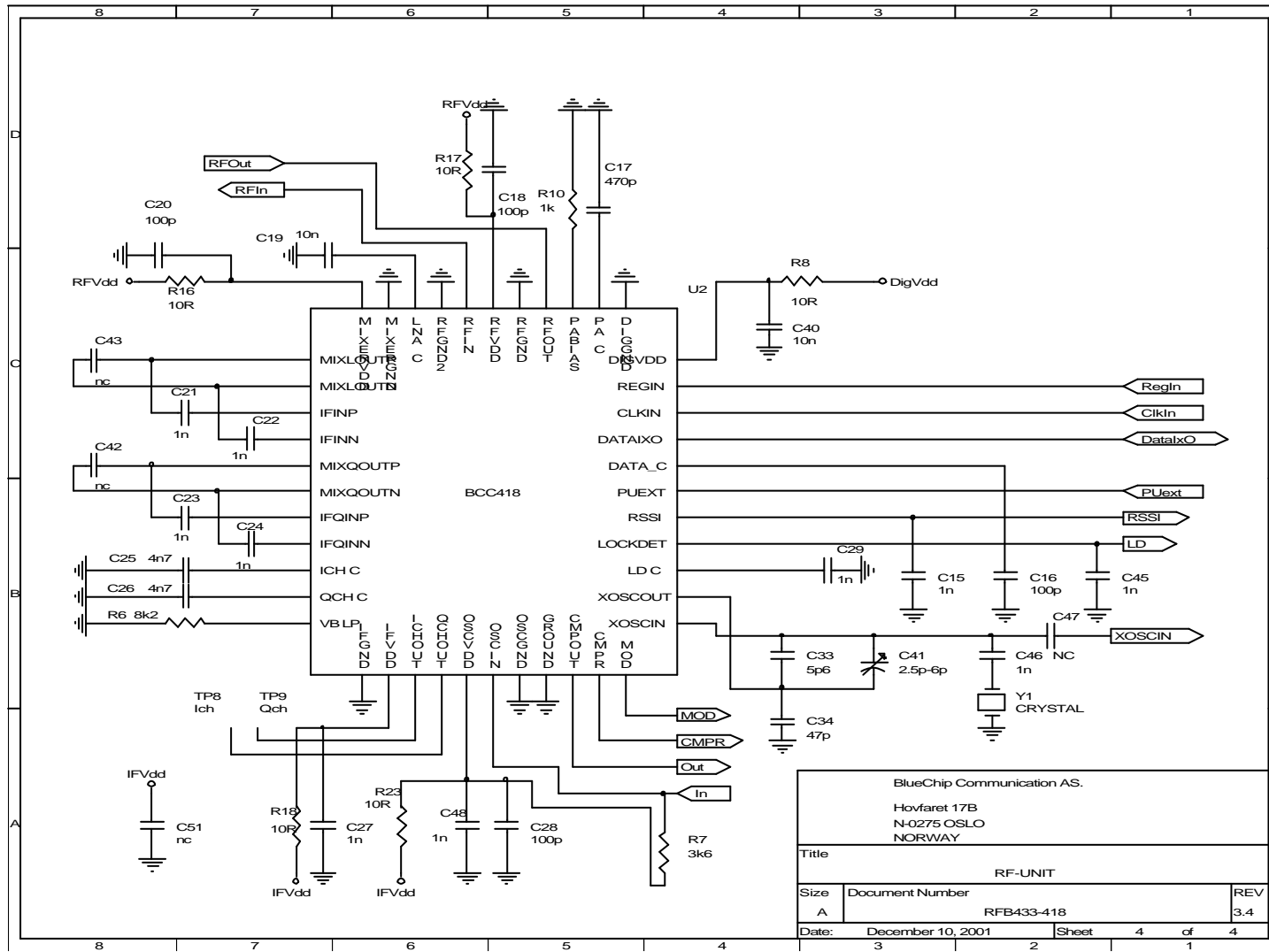


BlueChip Communication AS. Hovfaret 17B N-0275 OSLO NORWAY		
Title Antenna Matching		
Size A	Document Number RFB433-418	REV 3.4
Date: December 10, 2001	Sheet 2	of 4

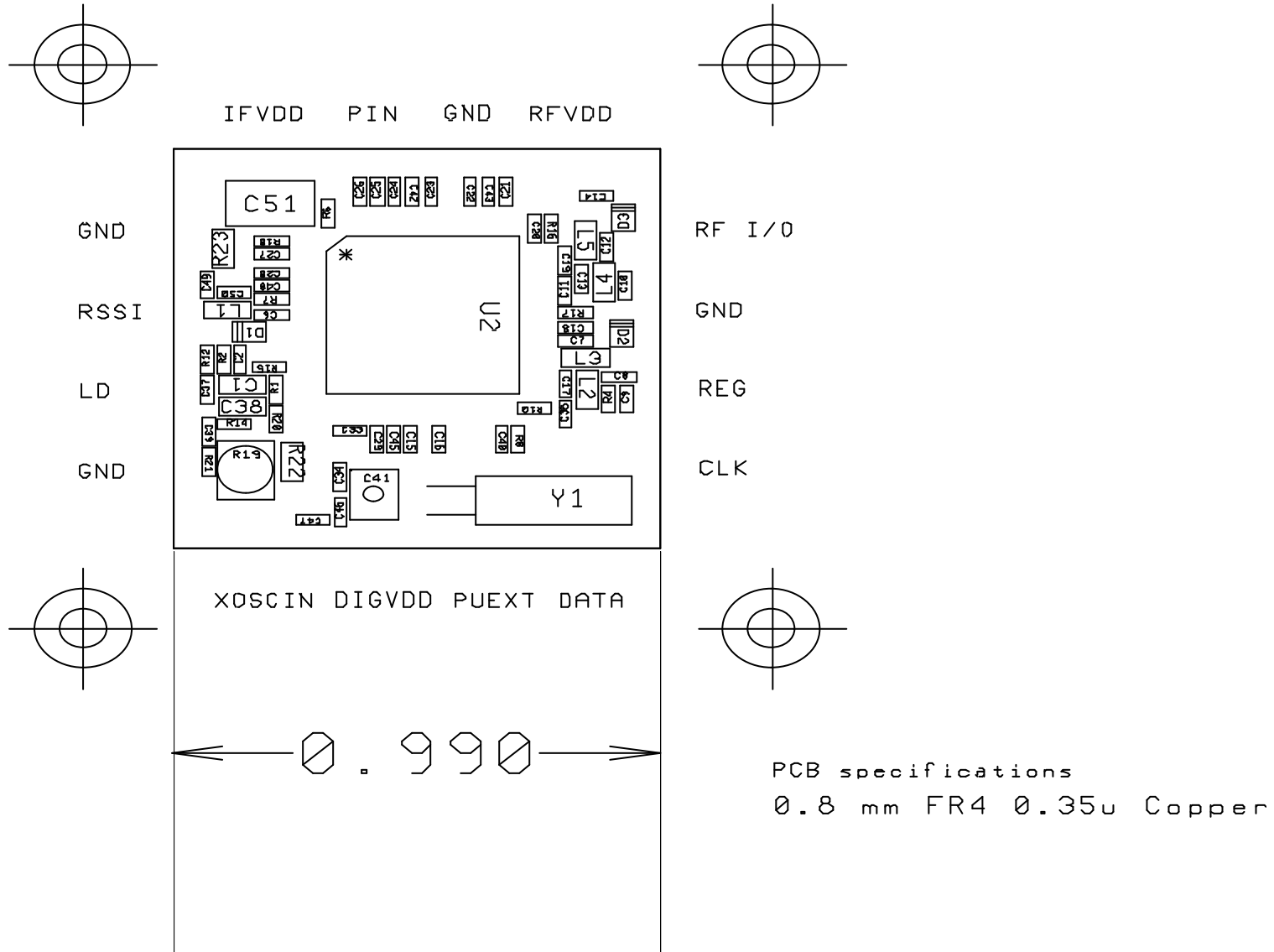
Schematics and Bill of Material for RFB V.3.4



Schematics and Bill of Material for RFB V.3.4



BCC418 V.3.4



2. Bill of Material for RF-Block 433 V.3.4

DATE: 2001.10.31

<u>Item</u>	<u>Quantity</u>	<u>Reference Part</u>	<u>Pkg. And tolerance</u>	<u>Dielectricum</u>	<u>Voltage</u>
1	2	C1 C38	100n 0603 +-10%	X7R	10
2	1	C2	6n8 0402 +-10%	X5R	10
3	2	C6 C7	15p 0402 +-5%	COG	50
4	2	C8 C49	2p2 0402 +-0,25p	COG	50
5	2	C9 C33	5p6 0402 +-0,5p	COG	50
6	3	C10 C14 C34	47p 0402 +-5%	COG	50
7	2	C11 C13	18p 0402 +-5%	COG	50
8	1	C12	6p8 0402 +-0,5p	COG	50

Schematics and Bill of Material for RFB V.3.4

9	10	C15 C21 C22 C23 C24 C27 C29 C45 C46 C48	1n	0402 +-10%	X7R	50
10	5	C16 C18 C20 C28 C36	100p	0402 +-5%	COG	50
11	3	C17 C37 C39	470p	0402 +-10%	X7R	50
12	2	C19 C40	10n	0402 +-10%	X7R	16
13	2	C25 C26	4n7	0402 +-10%	X7R	25
14	1	C41	2,5-6p	TZV02Z060A110	MURATA	
15	6	C42	NC			

Schematics and Bill of Material for RFB V.3.4

		C43				
		C47				
		C50				
		C51				
		R22				
16	3	R1	8k2	0402 +-5%		50
		R6				
		R15				
17	1	R2	47k	0402 +-5%		50
18	2	R4	3k6	0402 +-5%		50
		R7				
19	4	R8	10R	0402 +-5%		50
		R16				
		R17				
		R18				
20	2	R10	1k	0402 +-5%		50
		R21				
21	1	R12	270k	0402 +-5%		50
22	1	R14	150k	0402 +-5%		
23	1	R19	2k	3mm Trimpot	BOURNS	
24	1	R20	2k2	0402 +-5%		50

Schematics and Bill of Material for RFB V.3.4

25	1	R23	10R	0603 +-1%	50
26	1	D1	MA4ST 350-1141	SOD 323	M/A-COM
27	2	D2 D3	MA4p789	SOD 323	M/A-COM
28	2	L1 L4	47nH	0603CS-47NXJBC 5%	COILCRAFT
29	1	L2	10nH	0603CS-10NXJBC 5%	COILCRAFT
30	1	L3	68nH	0603CS-68NXJBC 5%	COILCRAFT
31	1	L5	15nH	0603CS-15NXJBC 5%	COILCRAFT
32	3	TP1 TP6 TP7	TP TP TP		
33	1	TP8	Qch		
34	1	TP9	Ich		
35	1	U2	BCC418		
36	1	Y1	10MHz Crystal	SA-315HZ 10MHz 15pF	EPSON

